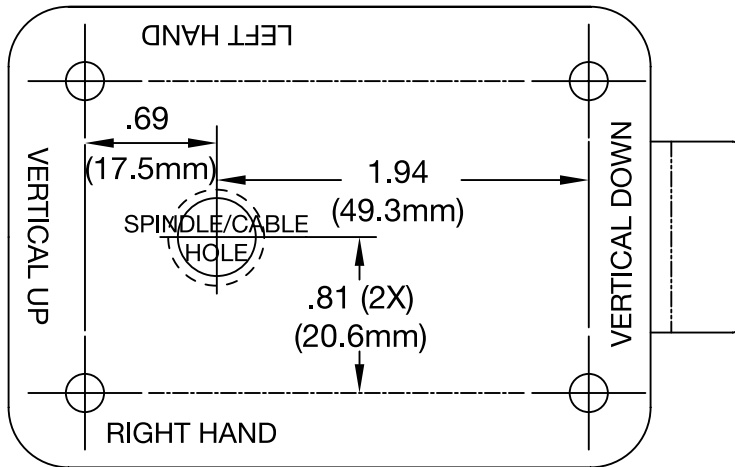


## LOCK CASE MOUNTING TEMPLATE

ENGLISH: 1/4-20  
 METRIC: M6X1  
 DRILL AND TAP TO 3/8" or 9.5mm DEPTH  
 (MIN. 1/4" or 6.4mm)



### ELECTRONIC & MECHANICAL SPINDLE/CABLE HOLE

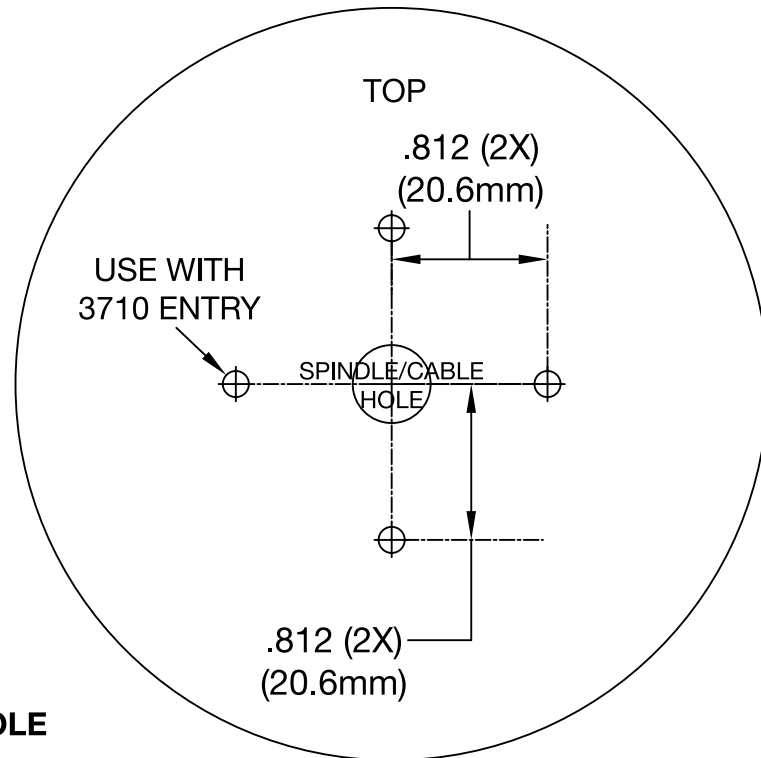
DRILL AND DEBURR:  
 .406 (10.32mm) MIN.  
 .406 (10.32mm) RECOMMENDED  
 .438 (11.11mm) MAX.

### KEY LOCK SPINDLE HOLE

DRILL AND DEBURR:  
 .500 (12.7mm) MIN.  
 .500 (12.7mm) RECOMMENDED  
 .516 (13.1mm) MAX.

## DIAL RING/FRONT HOUSING BASE MOUNTING TEMPLATE

ENGLISH: #8-32  
 METRIC: M4-0.7  
 DRILL AND TAP TO 3/8" or 9.5mm DEPTH  
 (MIN. 1/4" or 6.4mm)  
 (2X) AS REQUIRED



**DO NOT SCALE**