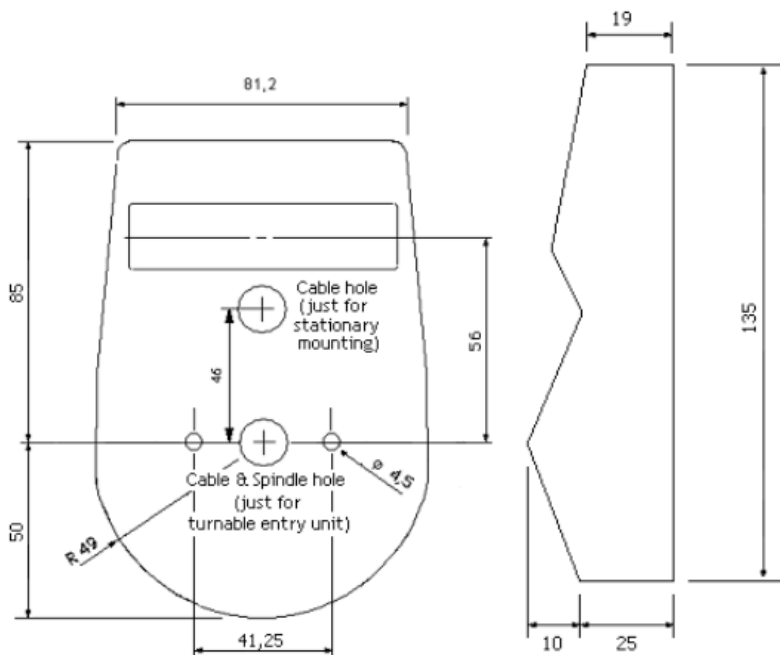


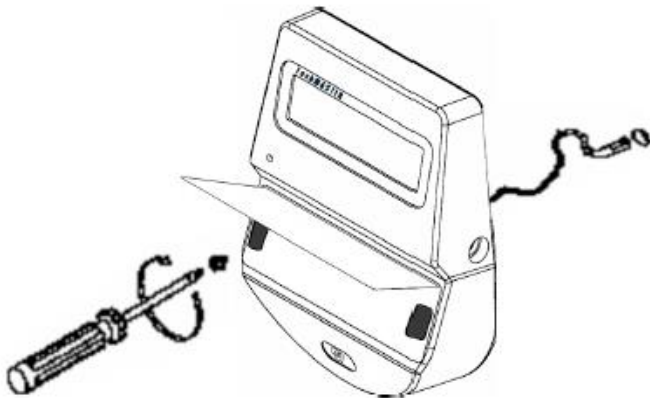
Display Keypad & Lock Installation Instructions

Display keypads – dimensions and general information



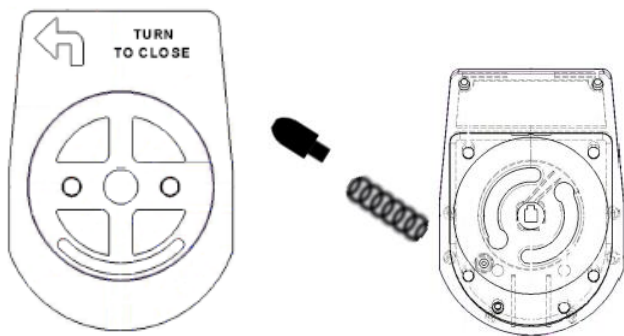
1. With mounting plate add 3mm to the thickness. The rotating back plate adds 9.7mm to the thickness.
2. The diameter of the cable hole should be minimum 9mm, maximum 12mm.
3. Prepare the mounting and cable holes as indicated in the diagram.
4. The hole must be well deburred to avoid damage to the cable.

Mounting with standard fixing screws for swingbolt or motorbolt locks



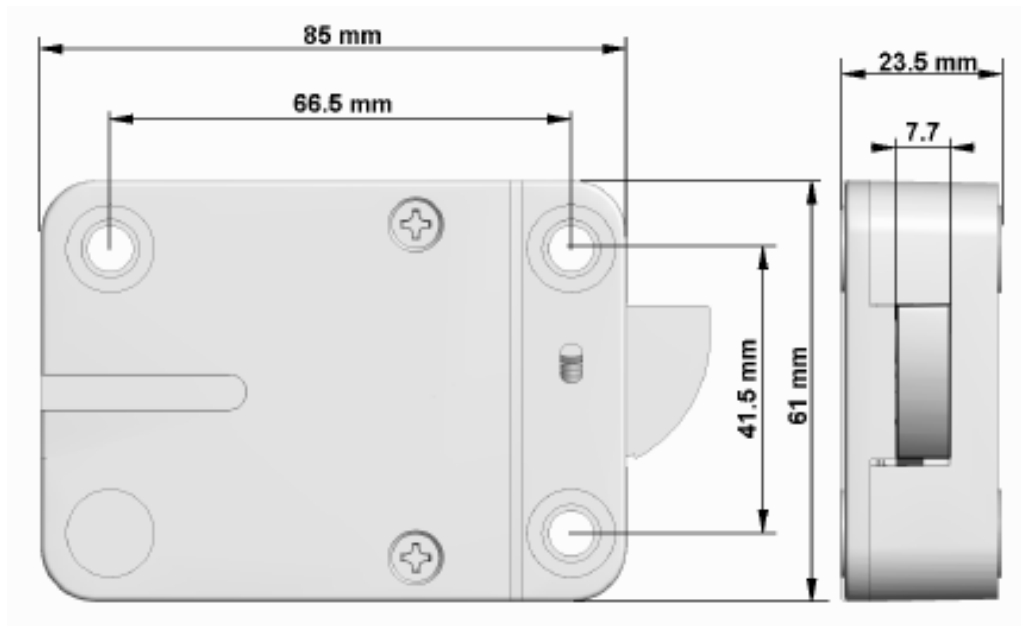
1. Route the cable through the cable hole.
2. Affix the two M4 mounting screws through the holes under the keypad membrane.
3. Remove the protective film from the membrane, carefully align the margins and stick to the housing.
4. If using, connect one 9v ALKALINE battery to the battery clip and insert the keypad cover.

Mounting with rotating back plate for deadbolt or latchbolt locks

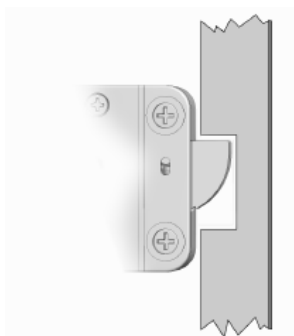


1. Affix the bearing plate using two M4 screws.
2. Insert the pin and spring into the hole on the back cover.
3. Cut the spindle to the appropriate length and deburr
4. Insert the spindle with the cut edge first all the way into the entry housing. Push the cable into the spindle groove until flat over the length of the spindle.
5. Route the cable and spindle through the cable hole, hold the unit at an approximately 10:00 o'clock position and slide it on the mounting adapters. Turn unit clockwise until it clicks into straight position at 12:00 o'clock.
6. Tie cables away from moving parts.
7. Remove the protective film from the membrane, carefully align the margins and stick to the housing.
8. If using, connect one 9v ALKALINE battery to the battery clip and insert the keypad cover.

Swingbolt lock dimensions

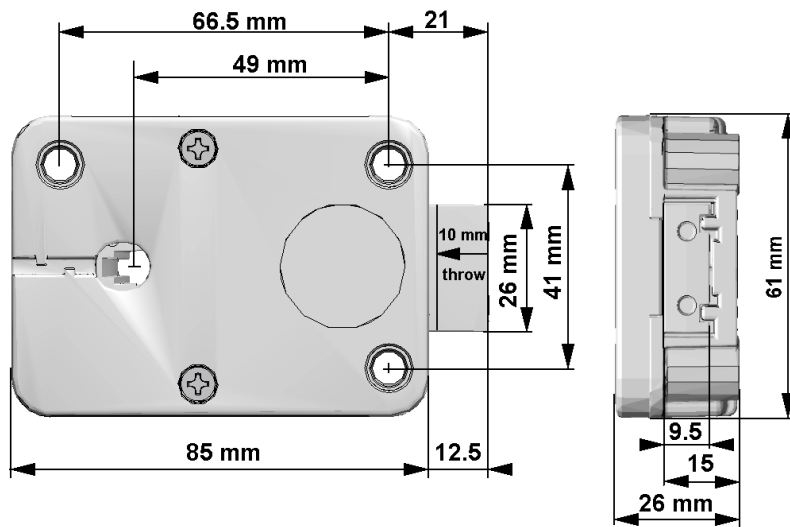


Swingbolt lock mounting

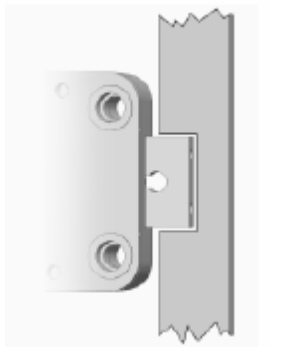
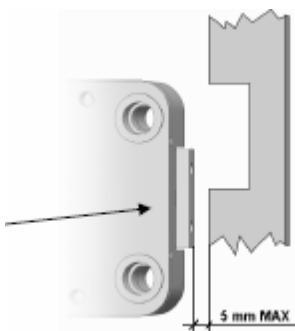


1. In the LOCKED position, there should be approximately 1mm clearance between the lock bolt and the cavity in the blocking bar of the boltwork. The lock bolt must move freely into the cavity.
2. Only use Tecnosicurezza supplied screws to mount the lock.
3. Tighten the screws securely so the lock body is attached firmly to the mounting surface. Do not over-torque the mounting screws. Maximum torque 3.5Nm.
4. Make sure there is air space on all sides of the lock bolt when the safe's boltwork is fully thrown into the locked position.
5. Insert the keypad cable into the "ENT" connector of the lock. Check that the cable is completely seated (To remove it, lift it up and carefully pull it out)
6. Battery box or alarm interfaces will be connected to the "BAT" connector of the lock.
7. Connect a 9v ALKALINE battery to the key or lock and repeat the functional test (With the door open) several times before locking the safe door.
8. NEVER remove the lock cover, this voids warranty.

Deadbolt lock dimensions

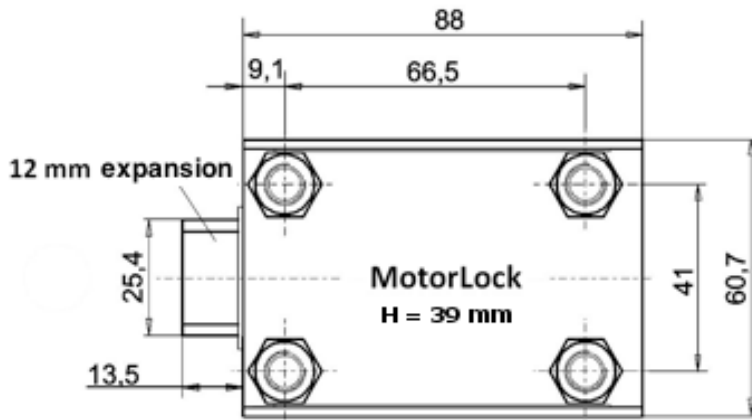


Deadbolt lock mounting

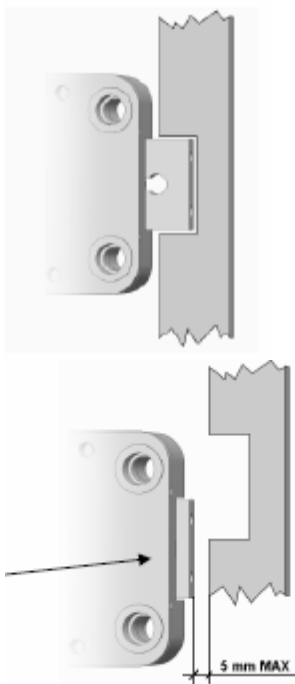


1. In the LOCKED position, there should be approximately 1mm clearance between the lock bolt and the cavity in the blocking bar of the boltwork. The lock bolt must move freely into the cavity.
2. In the OPEN position, there should be a minimum 3mm and maximum 5mm clearance between the lock bolt and the blocking bar of the boltwork.
3. The force applied to the bolt must not exceed 1kN. Any component fixed to the bolt must be approved before the installation.
4. Only use Tecnosicurezza supplied screws to mount the lock.
5. Tighten the screws securely so the lock body is attached firmly to the mounting surface. Do not over-torque the mounting screws. Maximum torque 3.5Nm.
6. Make sure there is air space on all sides of the lock bolt when the safe's boltwork is fully thrown into the locked position.
7. The spindle must extend between 6mm and 11mm off the mounting surface: there must be at least 4mm clearance between the spindle and the lock cover to avoid cable damage during use of the lock. The spindle must be well deburred to avoid damage to the cable.
8. Make sure the cable is inserted into the groove in the spindle. Insert the cable connector into the square hole in the underside of the lock and guide it through the hole in the lock cover.
9. Holding the cable straight, place the lock with the square cavity onto the spindle and then screw the lock to the mounting surface.
10. Insert the keypad cable into the "ENT" connector of the lock. Check that the cable is completely seated (To remove it, lift it up and carefully pull it out)
11. To tie the cable, push it into the square groove on the lock cover.
12. Battery box or alarm interfaces will be connected to the "BAT" connector of the lock.
13. Connect a 9v ALKALINE battery to the keypad or lock and repeat the functional test (With the door open) several times before locking the safe door.
14. NEVER remove the lock cover, this voids warranty.

Motorbolt lock dimensions

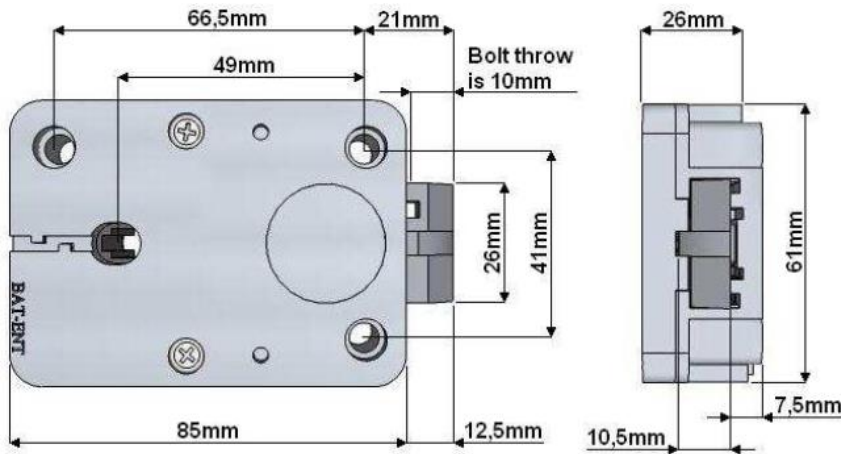


Motorbolt lock mounting

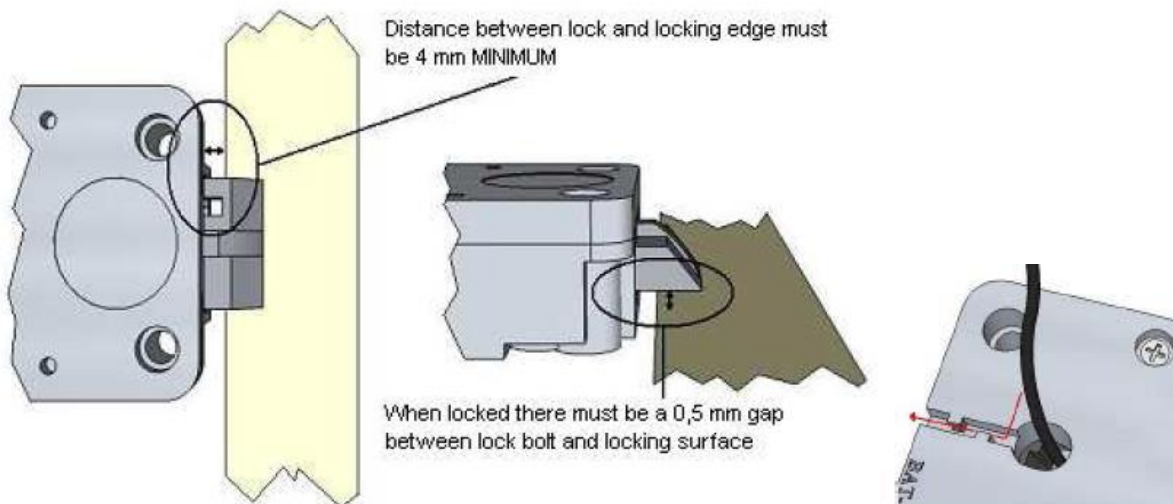


1. In the LOCKED position, there should be approximately 1mm clearance between the lock bolt and the cavity in the blocking bar of the boltwork. The lock bolt must move freely into the cavity.
2. In the OPEN position, there should be a minimum 3mm and maximum 5mm clearance between the lock bolt and the blocking bar of the boltwork.
3. Any component fixed to the bolt must be approved before the installation.
4. Tighten the screws securely so the lock body is attached firmly to the mounting surface. (Torque approximately 10Nm).
5. To avoid damage to the cable, the hole should be completely seated.
6. Insert the keypad cable into the "PORT 1" connector of the lock. Check that the cable is completely seated (To remove it, lift it up and carefully pull it out)
7. Battery box or alarm interfaces will be connected to the "PORT 2" connector of the lock.
8. Connect a 9v ALKALINE battery to the keypad or lock and repeat the functional test (With the door open) several times before locking the safe door.
9. NEVER remove the lock cover, this voids warranty.

Latchbolt lock dimensions



Latchbolt lock mounting



1. Only use Tecnosicurezza supplied screws to mount the lock.
2. Tighten the screws securely so the lock body is attached firmly to the mounting surface. Do not over-torque the mounting screws. Maximum torque 3.5Nm.
3. Make sure there is air space on all sides of the lock bolt when the safe's boltwork is fully thrown into the locked position.
4. The spindle must extend between 10mm and 15mm from the lock mounting surface. The spindle must be well deburred to avoid damage to the cable.
5. Make sure the cable is inserted into the groove in the spindle. Insert the cable connector into the square hole in the underside of the lock and guide it through the hole in the lock cover.
6. Holding the cable straight, place the lock with the square cavity onto the spindle and then screw the lock to the mounting surface.
7. Insert the keypad cable into the "ENT" connector of the lock. Check that the cable is completely seated (To remove it, lift it up and carefully pull it out)
8. To tie the cable, push it into the square groove on the lock cover.
9. Battery box or alarm interfaces will be connected to the "BAT" connector of the lock.
10. Connect a 9v ALKALINE battery and repeat the functional test (With the door open) several times before locking the safe door.
11. NEVER remove the lock cover, this voids warranty.