

These mounting instructions are the basis for various approvals, e.g. ECBS, VdS, A2P (CNPP), DNV, UL or others. The installation of the lock has to be performed in accordance with these instructions. Guidelines of the national certification bodies are to be considered and complied with.

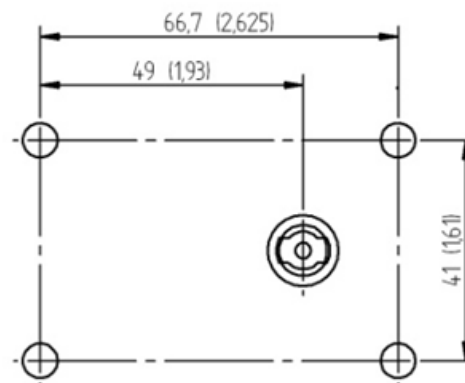
- The lock must be installed by authorized and trained personnel only. The perfect function of the lock and of any additionally connected or triggered systems (e.g. bolt works) has to be ensured and checked by specialists during the installation of the lock.
- The lock can be mounted in the following positions:

mounting positions of the lock	
Bolt left, key hole horizontal	
Bolt up, key hole vertical	
Bolt down, key hole vertical	
optional lock version, no standard Bolt right, key hole horizontal	

- Any changes to the lock or key are prohibited as they may result in a malfunction and will void all warranty claims.
- Keep the lock mechanism free from dirt and metal chips.
- Lock fastening: Use M6 steel socket head cap screws or BSW 1/4" steel bolts. The length of engagement must correspond to the applicable standards considering the thickness of the lock body of 30 mm. Mounting screws: minimum class 4.8 and maximum class 8.8.
- The screws have to be secured either by lock washers, flat springs, tooth lock washers or fan type lock washers or by gluing.
- Screw fixing torque: minimum 5 Nm (44 lb_F in) and maximum 6 Nm (53 lb_F in).
- The bolt must be able to move freely after the installation of the lock.
- For the installation of the lock, we highly recommend to also use the Kaba Mauer key escutcheon as well as the Kaba Mauer key guiding tube.
- For the installation of the lock and the lock accessories take care that the corresponding surfaces of the secure storage unit are flat and even and that all holes are free of burrs.
- During and after installation of the lock and lock accessories take care that the key can easily be inserted into the lock and turned with minimal force and without binding.
- It is recommended, that unauthorized persons have no access to security sensitive parts of the lock, also the door of the safe, where the lock is installed, is open.

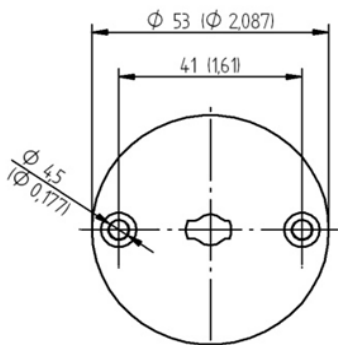
Installation:

- Install the lock following the given footprint (sketch 1).



sketch 1: lock footprint, all dimensions in mm (inches)

- Install the Kaba Mauer escutcheon follow the footprint given in sketch 2.

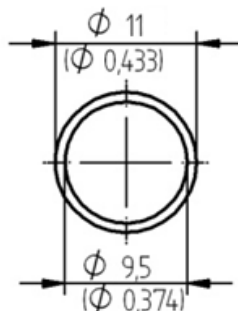


sketch 2: escutcheon footprint, all dimensions in mm (inches)

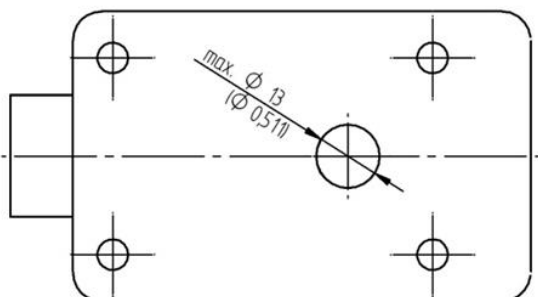
- Installation of the Kaba Mauer guiding tube:
The key hole in the door of the secure storage unit has to be dimensioned between 11 and 13 mm (following DIN 2768-mH), considering the outer diameter of the tube shown in sketch 3, the secured area given in sketch 4 and the security requirements of the secure storage unit. According to sketch 4, all areas outside the given zone have to be protected by the armoring of the secure storage unit.

During the installation and adjustment make sure that the key guiding tube gets properly put onto the two round projections on the lock case as well as to the round groove of the key hole cover. Please take care that after installation the key guiding tube is in a 90° angle to the lock and the escutcheon (see sketch 5: section of mounting situation).

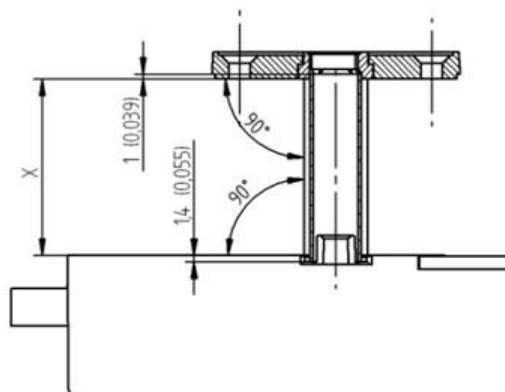
Length (L) of the key guiding tube in mm: $L = X + 2,4 \text{ [+0/-0,5] mm}$
 Length (L) of the key guiding tube in inches: $L = X + 0,095 \text{ [+0/-0,019] inches}$
 (see sketch 5).



sketch 3: key guiding tube, all dimensions in mm (inches)



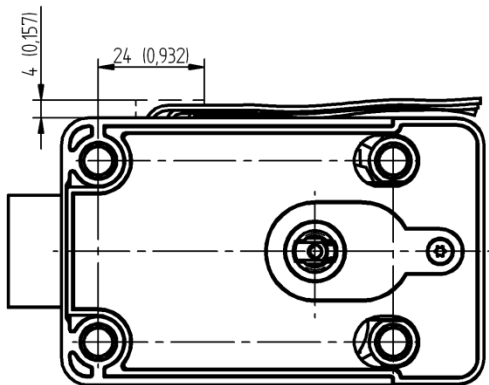
sketch 4: security zone of the lock, all dimensions in mm (inches)



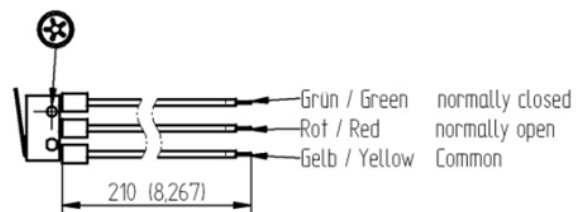
sketch 5: section of mounting situation, all dimensions in mm (inches)

- After the installation make sure that the key can be easily inserted into the lock and turned with minimal force and without binding.

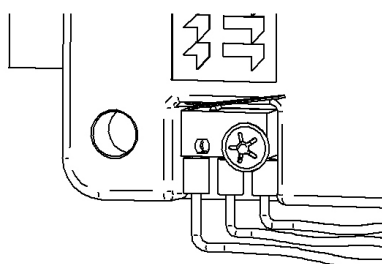
- If you're not using the Kaba Mauer escutcheon and key guiding tube make sure that the inner diameter of the alternative key guide has the same dimensions as the Kaba Mauer tube following DIN 2768-mH. The dimensions of the key guide have to follow the security requirements of the secure storage unit and considering the security area given in sketch 4. All areas outside the given zone have to be protected by the armoring of the secure storage unit. After installation, the key guide has to be well fixed and it has to be in a 90° angle to the lock and – if used - the escutcheon. After the installation make sure that the key can be easily inserted into the lock and turned with minimal force and without binding.
- When using the optionally available bolt switch please make sure that the area shown in sketch 6 is kept clear to prevent the cables or the switch from being damaged. The cables must not be buckled in the area of the heat shrinking tubes. The cables have to be installed such that they can't be damaged by moving parts (e.g. from bolt work) or sharp edges. For further details regarding the specification of the bolt switch cables refer to sketch 7. Install the bolt switch according to sketch 8 and secure it with the supplied Quicklock ring according to sketch 9. It is highly recommended to use a dedicated mounting tool for the Quicklock ring. This tool can be supplied by Kaba Mauer. After the installation of the bolt switch test the mechanical and electronic function of the bolt switch. Attach the bolt switch cables needed for your application to an electrical test device and open and close the lock several times.



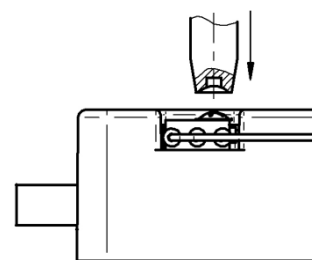
Sketch 6: required space for bolt switch and wires, all dimensions in mm (inches)



Sketch 7: Cable specifications and Quicklock mounting position, all dimensions in mm (inches)



Sketch 8: mounted switch



Sketch 9: Securing the Quicklock ring with the mounting tool

Other technical specifications:

- bolt way 8,5 mm (3,35 in), 12 mm (4,72 in) optional
- Extended bolt projection: approx. 12 mm (4,72 in), 13 mm (5,12 in) in case of 12mm (4,72 in) bolt way
- Bolt width: 25,4 mm; Bolt height: 8 mm
- The maximum static bolt load against closing direction and in lateral direction is 1 KN. It is recommended to support the bolt in case of permanent load.
- Operating the lock with the key, the maximum torque may not exceed 2.5 Nm (22 lb_F in)
- The bolt head is equipped with 2 M4 threads.
- The bolt was according to EN1300 with a permanent load of 2,5 N over 10.000 cycles tested. These load should not be exceeded permanently.