

### Important remarks

- Use only original Kaba Mauer VAROS keys. Use of keys other than the Kaba Mauer keys may damage the lock and will void warranty claims.
- Opening or closing the lock with damaged or worn keys may damage the lock. In such a case, the locking function of the lock can't be guaranteed. We recommend checking the condition of the key regularly and to exchange damaged or worn keys.
- The locking mechanism works smoothly during normal operations (opening or closing of the lock). Do not apply excessive force, especially while inserting the key into the lock.
- The lock must be installed by authorized and trained personnel.
- Do not break the lock's seal. Doing so will void warranty claims.
- The lock is designed to be operated only in non condensing humidity.
- To prevent the lock from unauthorized access don't leave the lock in open condition and always remove the key when closing the lock.
- Immediately after a key loss is noticed, the lock has to be changed to a new set of keys or it has to be replaced.

### Important rules for the change operation

- This lock can be changed from an existing set of keys to a new set. This function is advantageous and highly recommended in case one of the existing keys gets lost.
- For the change operation the secure storage unit door has to be in open condition.
- The change is only possible if one of the existing keys is available.
- The change activation process requires a certain torque. This prevents the activation of the change process during normal operation. Applying excessive force is to be avoided during this process. The change operation has to be processed completely and must follow these instructions.
- The key has to be withdrawn in change position (180°). Do not leave the lock unattended.
- The lock is designed for the number or change processes required in the certification guidelines. Additional lock changes will result in increased wear of the lock mechanism and a reduced life time.

### Terms and definitions

In these operations instructions certain terms and definitions are used. It is mandatory to know and understand these terms for the correct use of the lock, especially during the change process. An explanation of the terms used is given in the following illustrations (sheet 1).

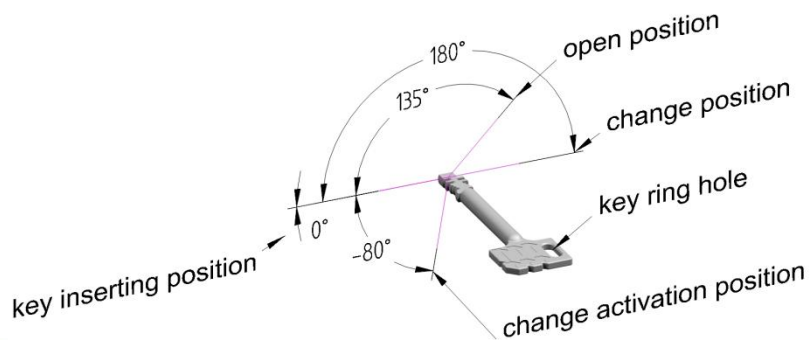
Important remark: For the lock position "bolt right" all operations have to be processed in counter rotating directions (see bottom part of sheet 1).

Lock and escutcheon mounting positions

Bolt left, key hole horizontal



Bigger notch left

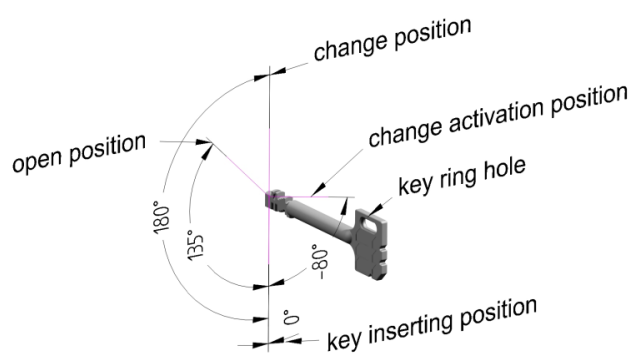


**!** The key is shown in key inserting position

Bolt down, key hole vertical

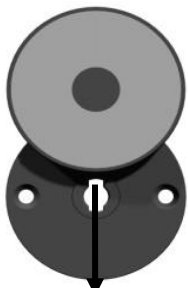


Bigger notch down

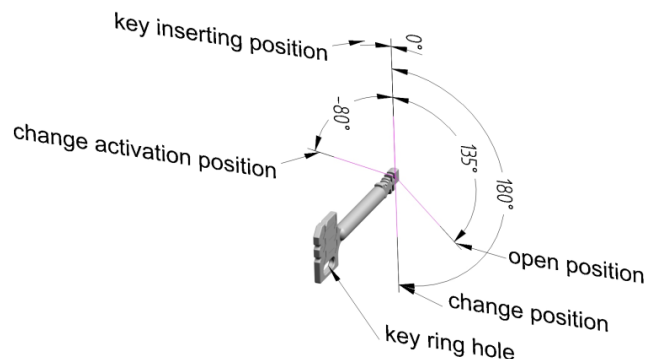


**!** The key is shown in key inserting position

Bolt up, key hole vertical



Bigger notch up



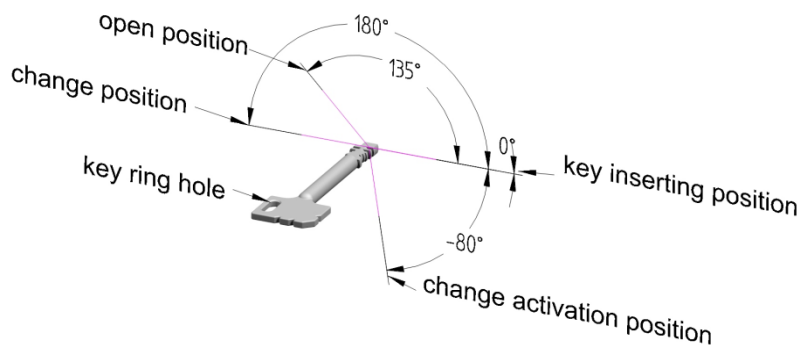
**!** The key is shown in key inserting position

Bolt right (option),  
key hole horizontal



Bigger notch right

(optional version, no standard)



**!** The key is shown in key inserting position

sheet 1: Key positions according to the lock mounting positions

## 1 Opening and closing

### 1.1 Opening

- Insert the key into the key hole (key inserting position) and turn it to the open position according to sheet 1.
- The key can't be withdrawn in open position.

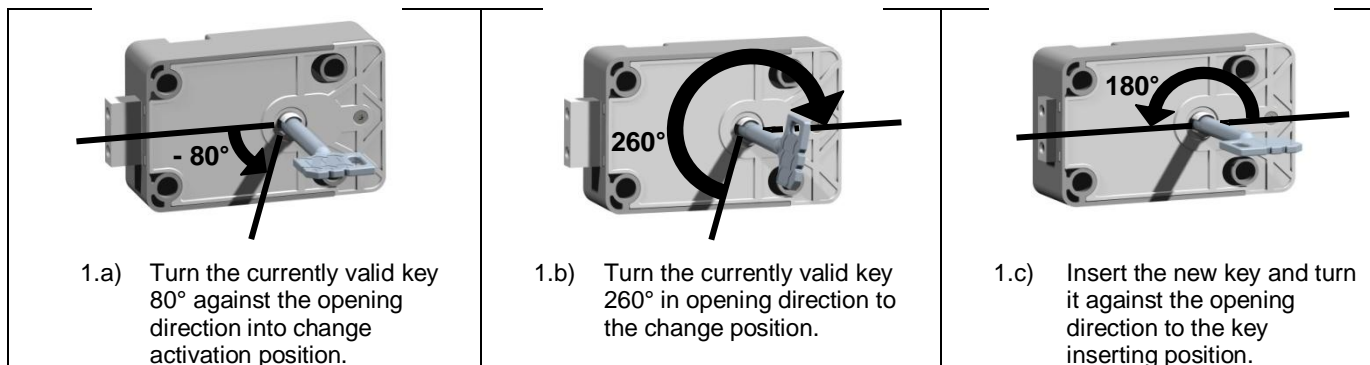
### 1.2 Closing

- Turn the key back to the key inserting position.
- The key is to be withdrawn and stored in a safe place after locking the lock.

## 2 Changing the lock to a new key

IMPORTANT: Follow the above mentioned rules for the change operation

- Open the secure storage unit according to chapter 1.1.
- With the secure storage unit door open, the lock (not the door!) has to be closed again (see chapter 1.2). Do not withdraw the key. Using additional torque, turn the key into change activation position (80° against opening direction, see sheet 1).
- Now turn the key back in opening direction and over the resisting point until you reach the change position (260° rotation angle, see sheet 1).
- Withdraw the key.
- Insert the new key as you removed the previous one. Rotate the new key 180° in closing direction and remove it.
- The lock is now set to the new key.
- Test the lock several times by opening and closing with the secure storage unit door open.
- An example for the lock changing procedure with lock mounting position "bolt left" is given in picture 1.



Picture 1: Change process example „bolt left“